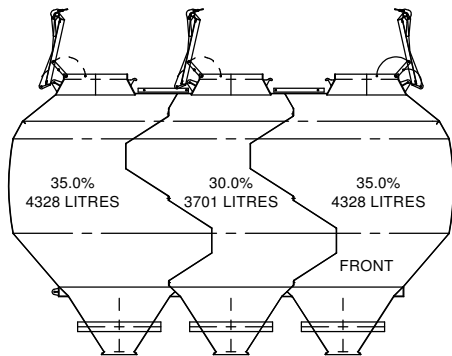
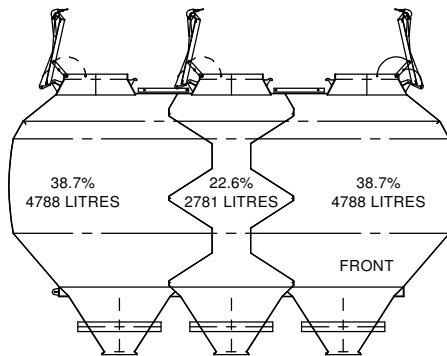


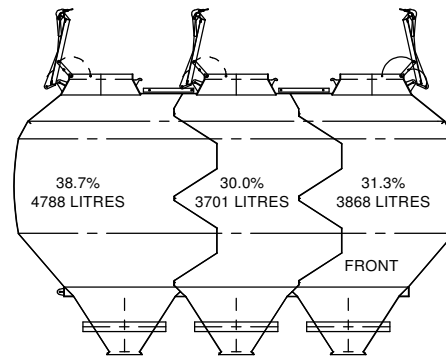
DO NOT SCALE - IF IN DOUBT ASK



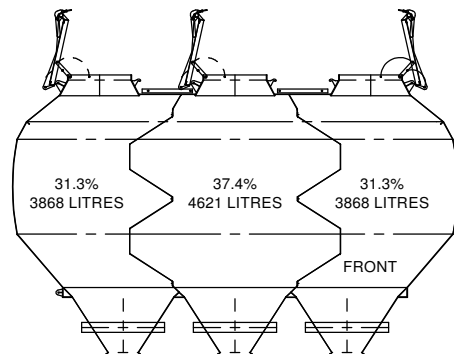
Split 1



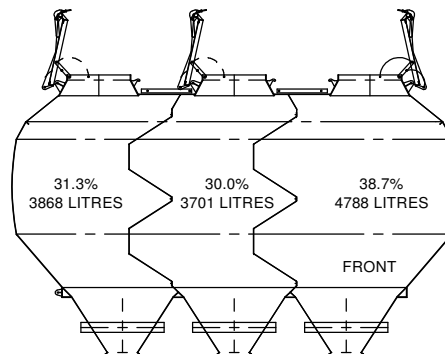
Split 2



Split 3



Split 4



Split 5

12000 Triple Bin

Total Usage Volume Given
a 25 Degree Angle of Repose is:
12357 Litres

Fabrication Note

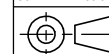
Finish:

General Tolerances

Linear Dimensions
 X ±1mm (whole numbers)
 X.X ±0.5mm (one decimal place)
 X.XX ±0.25mm (two decimal places)
Angular Dimensions
 All Angles ±2°

This drawing is the property of
Simplicity (Australia) Pty. Ltd.
It must not be used for any
purpose other than that for
which it is supplied.
Reproduction in whole or
part is prohibited without
written authority from
Simplicity (Australia) Pty. Ltd.

DRN: _____
 DATE: _____
 APPRD: _____
 DATE: / /
 SCALE: 1:56.5



SIMPLICITY (AUSTRALIA) PTY LTD
 18 LOUDOUN RD DALBY 4405 PH (07) 4662 2977 FAX (07) 4660 6050

TITLE	REV	SHEET
12000 Triple Bin Splits		1 OF 1
		A4